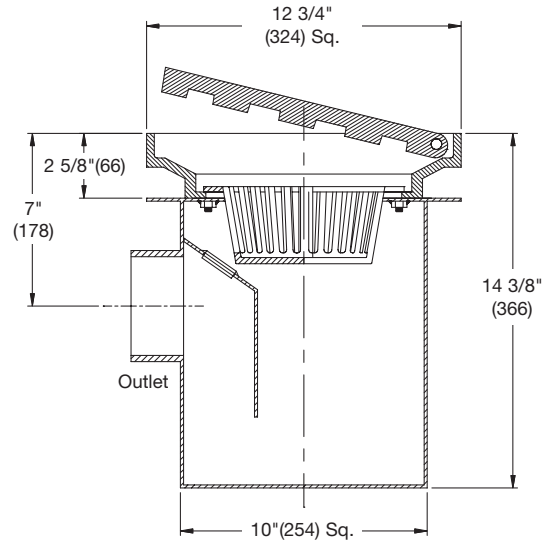


Area Drains

FD-430 Side Outlet Area Drain with Hinged Grate

Model Number	Weight (lbs.)	Grate Size	Outlet Size	Grate	List Price
FD-432,3,4	63	12 1/2" Sq.	2,3,4"	ductile iron	\$2,189.00
FD-432,3,4-1	63	12 1/2" Sq.	2,3,4"	nickel bronze	3,278.00



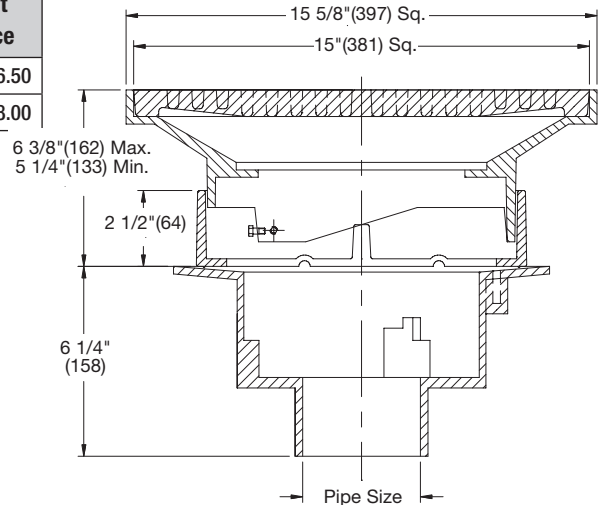
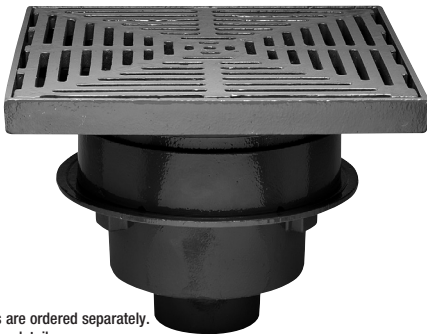
Options for FD-430 Series

Suffix	Description	List Price
-6	Vandal Proof	\$147.00
-T	Threaded Outlet	266.00

FD-450 Area Drain with 15" x 15" Adjustable Top



Model Number	Weight (lbs.)	Grate Size	Outlet Size	Grate	List Price
FD-452,3,4,5,6,8	120	15" (381) Sq.	2,3,4,5,6,8"	ductile iron	\$2,886.50
FD-452,3,4,5,6,8-1	120	15 1/2" (394) Sq.	2,3,4,5,6,8"	nickel bronze	3,978.00



Note: Funnels are ordered separately. See page 63 for details.

Options for FD-450, FD-450-F Series:

Suffix	Description	List Price	Suffix	Description	List Price
None	No Hub	No Add	-34	Closure Plug	\$120.50
P	Push-On (2,3,4,6" Only)	No Add	-60	PVC Body w/Socket Outlet (2,3,4,6" Only)	No Add
T	Threaded Outlet (2,3,4,6" Only)	\$80.00	-61	ABS Body w/Socket Outlet (2,3,4" Only)	No Add
X	Inside Caulk Outlet (2,3,4,6" Only)	No Add	-F4-50	4" Round Cast Iron Funnel	179.00
-5	Sediment Bucket	256.00	-F4-1	4" Round Nickel Bronze Funnel	428.00
-6	Vandal Proof	147.00	-F6-1	6" Round Nickel Bronze Funnel	625.50
-7	Trap Primer Tapping	150.00	-G-50	4x9" Oval Cast Iron Funnel	423.00
-8	Ball Float Backwater Valve (2,3,4" only)	377.50	-G-1	4x9" Oval Nickel Bronze Funnel	872.00
-9	Hinged Grate	273.50	-S0	Side Outlet	336.00
-13	All Galvanized	1,964.00			
-21	Secondary Strainer	67.50			

Consult factory for all applications outside of listed parameters.
 Prices do not include applicable taxes.

